

MECHANICAL

RECOMMENDED TUBING RANGE: .125-.250 INCH O.D.

STATE: TUBING NORMALLY CLOSED

SEALS: PANEL MOUNTING SPLASH SEALS STD.

MOUNTING: CUSTOM

TUBE LOADING: CASSETTE-STYLE

ELECTRICAL

VOLTAGE REQUIREMENT: 12 TO 48 VDC,

POWER CONSUMPTION: 7-70 WATTS PULSE,

4-7 WATTS HOLD

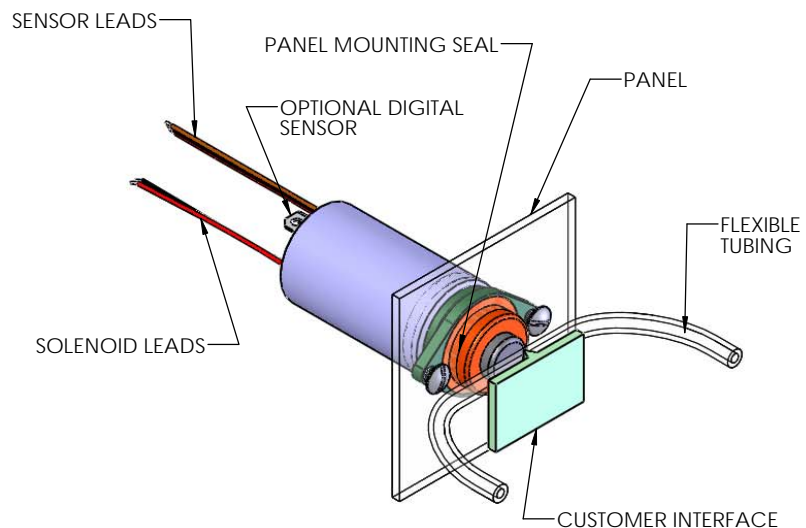
ACTUATION: PULSE AND HOLD RECOMMENDED

POSITION SENSING: DIGITAL HALL SENSOR

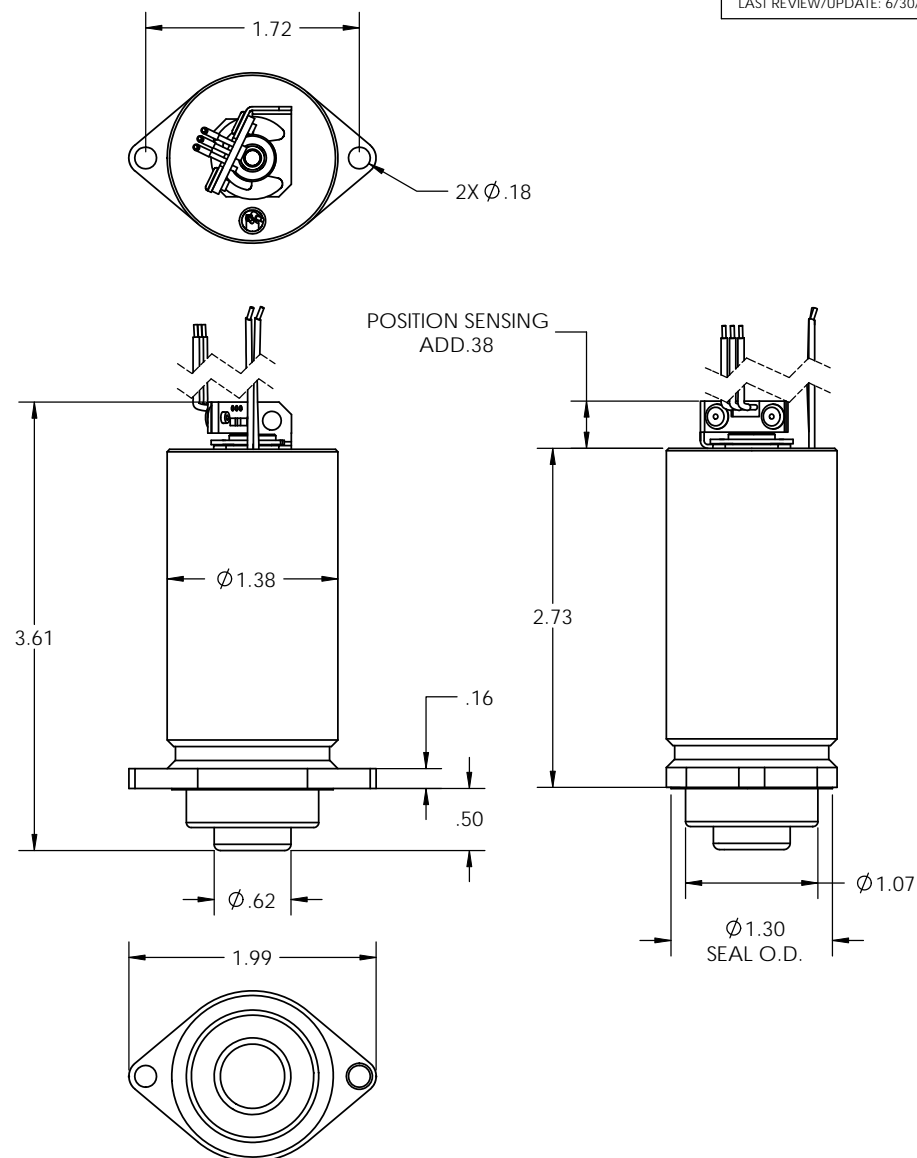
LEADWIRES: 22 GA. UL1061, 3.5" LENGTH

NOISE REDUCTION: N/A

SPECIFICATIONS



ISOMETRIC VIEW



DIMENSIONAL DETAILS
DIMENSIONS: INCH